

# Movik

Elegance at your service !



**ERARD®**

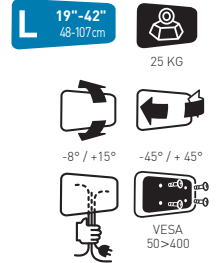
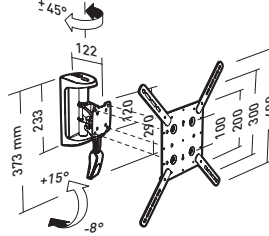
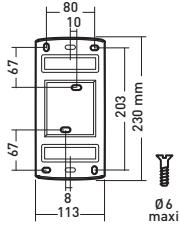
# Movik for small and medium size screens

- Tilting and swivelling
- Handle permitting to adjust the screen position
- Wall mount and arm in injected aluminium
- Silver lacquer

## Movik **400TW1**

Mount with 1 swivel axis, 1 tilt axis for 19" - 42" screens

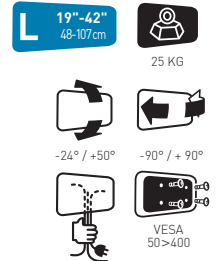
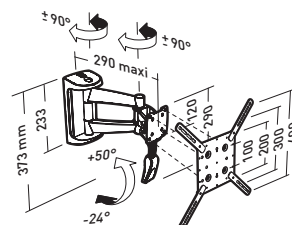
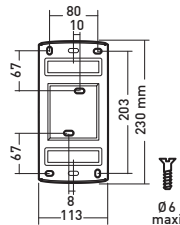
Ref. **002559** EAN 318528 002559 6



## Movik **400TW2**

Mount with 2 swivel axis, 1 tilt axis for 19" - 42" screens

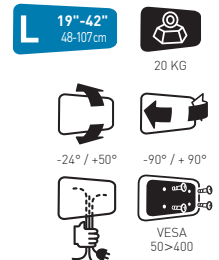
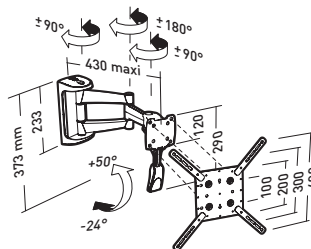
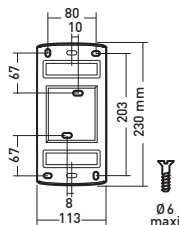
Ref. **002560** EAN 318528 002560 2



## Movik **400TW3**

Mount with 3 swivel axis, 1 tilt axis for 19" - 42" screens

Ref. **002561** EAN 318528 002561 9



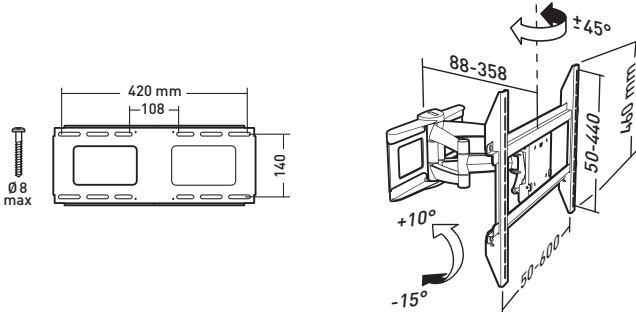
## Movik for large screens

### Movik **600T**WDOUBLE

Tilting and swivelling mount for 40" à 65" screens

Ref. **047401** EAN 318528 047401 1

- Tilting and swivelling wall mount
- Wide offset capacity : minimum 88 mm and maximum 358 mm
- Safe wall plate with 4 anchor points either in a square or in a line
- Drilling template provided
- Openings to pass the cables directly to the wall



**XL** 40"-65"  
102-165cm



35 KG



-15° / +10°



+/- 45°



VESA  
100>600x400

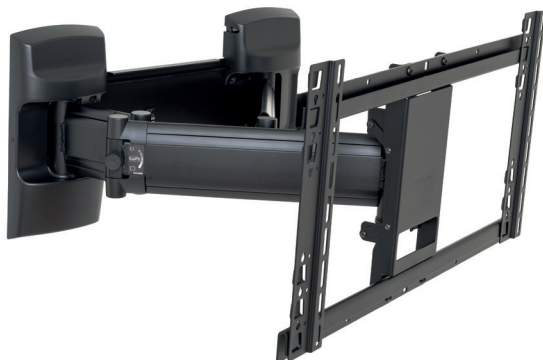
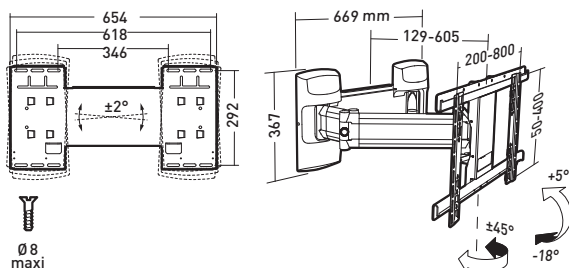
# Movik for very large screens

## Movik **Big Arm**

Tilting and swivelling mount for 40" - 90" screens

Ref. **047440** EAN 318528 047440 0

- Tilting and swivelling wall mount for very large screens weighing up to 70 kg.
- Steel structure
- Anti wall collision system
- Easy handling system: adjust the screen offset and swivel with one hand (EHF function)
- Only one person needed for installation : factory pre-mounted and pre-adjusted structure delivered in two parts, drilling template supplied.



**XXL** 40"-90"  
102-228cm



70 KG



$-18^\circ / +5^\circ$



$\pm 45^\circ$



VESA  
100>800x400

# ERARD®

ESSENTIAL **ACCESSORIES**  
FOR AUDIO VIDEO COMPONENTS

Mail : [expor@erard.fr](mailto:expor@erard.fr) / [www.erard.com](http://www.erard.com) / Tel : +33 (0)4 72 46 16 26 / Fax : +33 (0)4 72 46 16 22

VAT N°: FR 81 403 591 415

Z.I. de Chavanoz / 4 route de la Plaine / 338230 CHAVANOZ / FRANCE

